

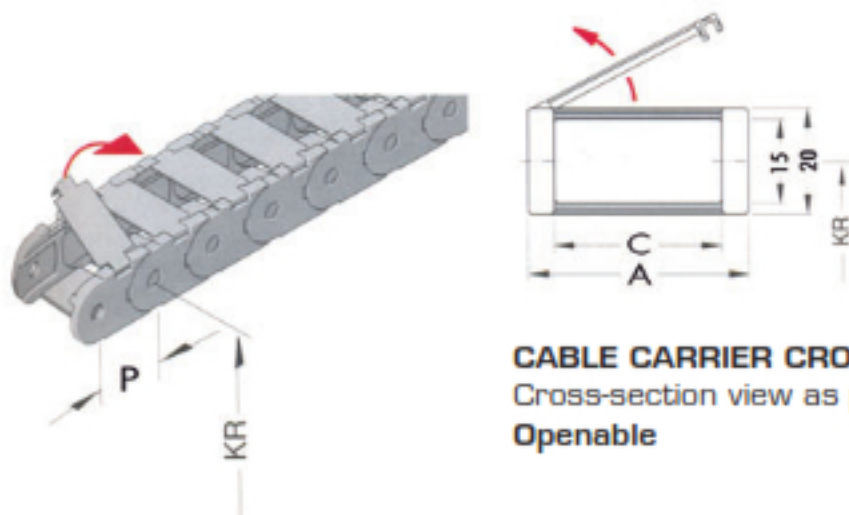
TKB 15 SERIES

OPENABLE



	A	C	KR	P	M/M	PS-KG/M	
MODEL TKB 15/15	25	15	28-38-48	25	40	0,20	
MODEL TKB 15/20	30	20	28-38-48	25	40	0,22	
MODEL TKB 15/30	40	30	28-38-48	25	40	0,25	
MODEL TKB 15/40	50	40	28-38-48	25	40	0,28	
MODEL TKB 15/50	60	50	28-38-48	25	40	0,31	

STROKE LENGTH	SEE PAGE	14
CABLE CARRIER LENGTH	SEE PAGE	14
SELF-BEARING LENGTH IN RELATION TO ADDITIONAL WEIGHT	SEE PAGE	14-15
NON-STANDARD or SPECIAL FLANGES	SEE PAGE	11
LOCKING ELEMENTS	SEE PAGE	12
ASSEMBLY VARIANTS	SEE PAGE	9-10



CABLE CARRIER CROSS-SECTION

Cross-section view as per operation lay-out
Openable