

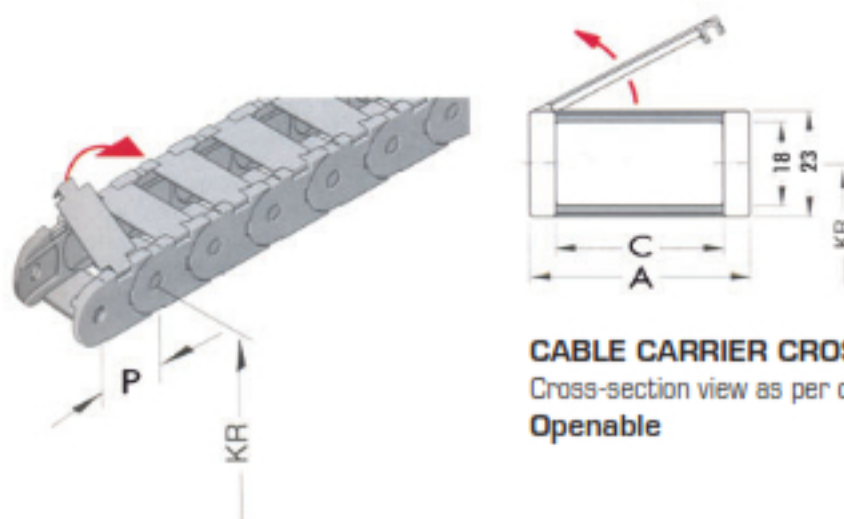
TKB 18 SERIES

OPENABLE



	A	C	KR	P	M/M	PS-KG/M
MODEL TKB 18/18	30	18	28-38-48	30	33,3	0,31
MODEL TKB 18/25	37	25	28-38-48	30	33,3	0,33
MODEL TKB 18/35	47	35	28-38-48	30	33,3	0,37
MODEL TKB 18/40	52	40	28-38-48	30	33,3	0,40
MODEL TKB 18/50	62	50	28-38-48	30	33,3	0,50

STROKE LENGTH	SEE PAGE	14
CABLE CARRIER LENGTH	SEE PAGE	14
SELF-BEARING LENGTH IN RELATION TO ADDITIONAL WEIGHT	SEE PAGE	14-15
NON-STANDARD or SPECIAL FLANGES	SEE PAGE	11
LOCKING ELEMENTS	SEE PAGE	12
ASSEMBLY VARIANTS	SEE PAGE	9-10



CABLE CARRIER CROSS-SECTION

Cross-section view as per operation lay-out
Openable