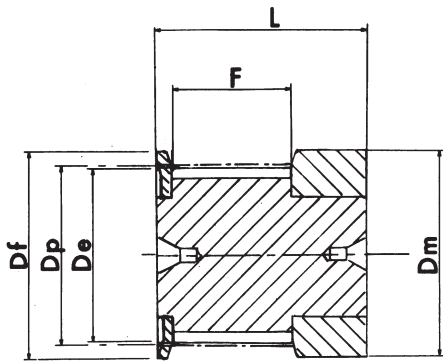
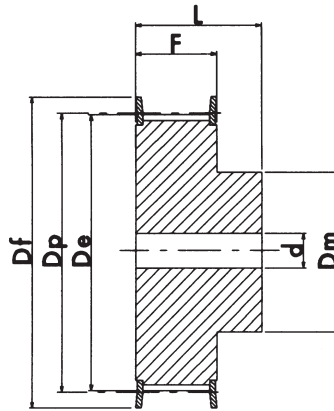


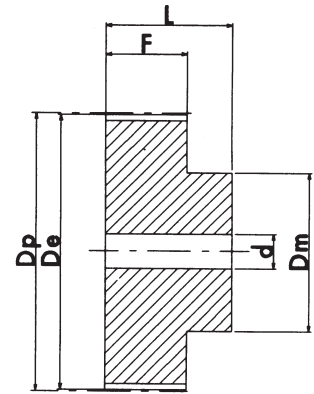
" T " P U L L E Y S



EXECUTION 0F



EXECUTION 1F



EXECUTION 2

How to identify a pulley – Example: 31 T10 25

Pulley width (mm) 31

Pulley pitch (mm) T10

No. of teeth on pulley 25

material: ALUMINIUM

T20 pitch pulleys and bars are manufactured on request.

T 2.5 (2.5 mm pitch) DESIGNED FOR 6 mm WIDE BELTS

ALUMINIUM

| DESCRIPTION | EXEC. | No. of TEETH | Dp | De | Df | Dm | F | L | d | FLANGE No. |
|-------------|-------|--------------|-------|-------|------|----|----|----|---|------------|
| 16 T2.5 12 | 0F | 12 | 9.60 | 9.00 | 13.0 | 13 | 9 | 16 | - | 501 |
| 16 T2.5 14 | 0F | 14 | 11.20 | 10.60 | 15.0 | 15 | 9 | 16 | - | 502 |
| 16 T2.5 15 | 0F | 15 | 12.00 | 11.40 | 15.0 | 15 | 9 | 16 | - | 502 |
| 16 T2.5 16 | 0F | 16 | 12.80 | 12.20 | 16.0 | 16 | 9 | 16 | - | 503 |
| 16 T2.5 16 | 1F | 18 | 14.40 | 13.80 | 17.5 | 10 | 10 | 16 | - | 504 |
| 16 T2.5 19 | 1F | 19 | 15.20 | 14.60 | 20.0 | 10 | 10 | 16 | - | 505 |
| 16 T2.5 20 | 1F | 20 | 16.00 | 15.40 | 20.0 | 11 | 10 | 16 | - | 505 |
| 16 T2.5 22 | 1F | 22 | 17.60 | 17.00 | 22.0 | 11 | 10 | 16 | - | 512 |
| 16 T2.5 24 | 1F | 24 | 19.15 | 18.55 | 22.0 | 12 | 10 | 16 | 4 | 512 |
| 16 T2.5 25 | 1F | 25 | 19.95 | 19.35 | 25.0 | 13 | 10 | 16 | 4 | 506 |
| 16 T2.5 26 | 1F | 26 | 20.75 | 20.15 | 26.0 | 14 | 10 | 16 | 4 | 507 |
| 16 T2.5 28 | 1F | 28 | 22.35 | 21.75 | 26.0 | 14 | 10 | 16 | 4 | 507 |
| 16 T2.5 30 | 1F | 30 | 23.95 | 23.35 | 26.0 | 16 | 10 | 16 | 6 | 508 |
| 16 T2.5 32 | 1F | 32 | 25.55 | 24.95 | 32.0 | 16 | 10 | 16 | 6 | 509 |
| 16 T2.5 36 | 1F | 36 | 28.75 | 28.10 | 36.0 | 20 | 10 | 16 | 6 | 510 |
| 16 T2.5 40 | 1F | 40 | 31.90 | 31.30 | 38.0 | 22 | 10 | 16 | 6 | 511 |
| 16 T2.5 44 | 2 | 44 | 35.10 | 34.50 | - | 24 | 10 | 16 | 6 | - |
| 16 T2.5 48 | 2 | 48 | 38.30 | 37.70 | - | 26 | 10 | 16 | 6 | - |
| 16 T2.5 60 | 2 | 60 | 47.85 | 47.25 | - | 34 | 10 | 16 | 8 | - |

" T " P U L L E Y S

T 5 (5 mm pitch) DESIGNED FOR 10 mm WIDE BELTS

| ALUMINIUM | DESCRIPTION | EXEC. | No. of TEETH | Dp | De | Df | Dm | F | L | d | FLANGE No. |
|-----------|-------------|-------|--------------|-------|-------|------|----|----|----|----|------------|
| | 21 T5 10 | 1F | 10 | 15.92 | 15.05 | 19.5 | 8 | 15 | 21 | - | 3 |
| | 21 T5 12 | 1F | 12 | 19.10 | 18.25 | 23.0 | 11 | 15 | 21 | - | 1 |
| | 21 T5 14 | 1F | 14 | 22.29 | 21.45 | 25.0 | 13 | 15 | 21 | - | 2 |
| | 21 T5 15 | 1F | 15 | 23.88 | 23.05 | 28.0 | 16 | 15 | 21 | 6 | 4 |
| | 21 T5 16 | 1F | 16 | 25.47 | 24.60 | 32.0 | 18 | 15 | 21 | 6 | 5 |
| | 21 T5 18 | 1F | 18 | 28.65 | 27.80 | 32.0 | 20 | 15 | 21 | 6 | 6 |
| | 21 T5 19 | 1F | 19 | 30.25 | 29.40 | 36.0 | 22 | 15 | 21 | 6 | 8 |
| | 21 T5 20 | 1F | 20 | 31.83 | 31.00 | 36.0 | 23 | 15 | 21 | 6 | 8 |
| | 21 T5 22 | 1F | 22 | 35.02 | 34.15 | 38.0 | 24 | 15 | 21 | 6 | 9 |
| | 21 T5 24 | 1F | 24 | 38.21 | 37.40 | 42.0 | 26 | 15 | 21 | 6 | 13 |
| | 21 T5 25 | 1F | 25 | 39.80 | 38.95 | 44.0 | 26 | 15 | 21 | 6 | 12 |
| 21 T5 26 | 1F | 26 | 41.39 | 40.60 | 44.0 | 26 | 15 | 21 | 6 | 12 | |
| 21 T5 27 | 1F | 27 | 42.98 | 42.20 | 48.0 | 30 | 15 | 21 | 8 | 11 | |
| 21 T5 28 | 1F | 28 | 44.58 | 43.75 | 48.0 | 32 | 15 | 21 | 8 | 11 | |
| 21 T5 30 | 1F | 30 | 47.76 | 46.95 | 51.0 | 34 | 15 | 21 | 8 | 16 | |
| 21 T5 32 | 1F | 32 | 50.94 | 50.10 | 54.0 | 38 | 15 | 21 | 8 | 18 | |
| 21 T5 36 | 1F | 36 | 57.31 | 56.45 | 64.0 | 38 | 15 | 21 | 8 | 23 | |
| 21 T5 40 | 1F | 40 | 63.66 | 62.85 | 66.5 | 40 | 15 | 21 | 8 | 24 | |
| 21 T5 42 | 1F | 42 | 66.86 | 66.00 | 70.0 | 40 | 15 | 21 | 8 | 26 | |
| 21 T5 44 | 2 | 44 | 70.05 | 69.20 | - | 45 | 15 | 21 | 8 | - | |
| 21 T5 48 | 2 | 48 | 76.42 | 75.55 | - | 50 | 15 | 21 | 8 | - | |
| 21 T5 60 | 2 | 60 | 95.52 | 94.65 | - | 65 | 15 | 21 | 8 | - | |

T 5 (5 mm pitch) DESIGNED FOR 16 mm WIDE BELTS

| ALUMINIUM | DESCRIPTION | EXEC. | No. of TEETH | Dp | De | Df | Dm | F | L | d | FLANGE No. |
|-----------|-------------|-------|--------------|-------|-------|------|----|----|----|----|------------|
| | 27 T5 10 | 1F | 10 | 15.92 | 15.05 | 19.5 | 8 | 21 | 27 | - | 3 |
| | 27 T5 12 | 1F | 12 | 19.10 | 18.25 | 23.0 | 11 | 21 | 27 | - | 1 |
| | 27 T5 14 | 1F | 14 | 22.29 | 21.45 | 25.0 | 13 | 21 | 27 | - | 2 |
| | 27 T5 15 | 1F | 15 | 23.88 | 23.05 | 28.0 | 16 | 21 | 27 | 6 | 4 |
| | 27 T5 16 | 1F | 16 | 25.47 | 24.60 | 32.0 | 18 | 21 | 27 | 6 | 5 |
| | 27 T5 18 | 1F | 18 | 28.65 | 27.80 | 32.0 | 20 | 21 | 27 | 6 | 6 |
| | 27 T5 19 | 1F | 19 | 30.25 | 29.40 | 36.0 | 22 | 21 | 27 | 6 | 8 |
| | 27 T5 20 | 1F | 20 | 31.83 | 31.00 | 36.0 | 23 | 21 | 27 | 6 | 8 |
| | 27 T5 22 | 1F | 22 | 35.02 | 34.15 | 38.0 | 24 | 21 | 27 | 6 | 9 |
| | 27 T5 24 | 1F | 24 | 38.21 | 37.40 | 42.0 | 26 | 21 | 27 | 6 | 13 |
| | 27 T5 25 | 1F | 25 | 39.80 | 38.95 | 44.0 | 26 | 21 | 27 | 6 | 12 |
| 27 T5 26 | 1F | 26 | 41.39 | 40.60 | 44.0 | 26 | 21 | 27 | 6 | 12 | |
| 27 T5 27 | 1F | 27 | 42.98 | 42.20 | 48.0 | 30 | 21 | 27 | 8 | 11 | |
| 27 T5 28 | 1F | 28 | 44.58 | 43.75 | 48.0 | 32 | 21 | 27 | 8 | 11 | |
| 27 T5 30 | 1F | 30 | 47.76 | 46.95 | 51.0 | 34 | 21 | 27 | 8 | 16 | |
| 27 T5 32 | 1F | 32 | 50.94 | 50.10 | 54.0 | 38 | 21 | 27 | 8 | 18 | |
| 27 T5 36 | 1F | 36 | 57.31 | 56.45 | 64.0 | 38 | 21 | 27 | 8 | 23 | |
| 27 T5 40 | 1F | 40 | 63.66 | 62.85 | 66.5 | 40 | 21 | 27 | 8 | 24 | |
| 27 T5 42 | 1F | 42 | 66.86 | 66.00 | 70.0 | 40 | 21 | 27 | 8 | 26 | |
| 27 T5 44 | 2 | 44 | 70.05 | 69.20 | - | 45 | 21 | 27 | 8 | - | |
| 27 T5 48 | 2 | 48 | 76.42 | 75.55 | - | 50 | 21 | 27 | 8 | - | |
| 27 T5 60 | 2 | 60 | 95.52 | 94.65 | - | 65 | 21 | 27 | 8 | - | |

T 5 (5 mm pitch) DESIGNED FOR 25 mm WIDE BELTS

| ALUMINIUM | DESCRIPTION | EXEC. | No. of TEETH | Dp | De | Df | Dm | F | L | d | FLANGE No. |
|-----------|-------------|-------|--------------|-------|-------|------|----|----|----|----|------------|
| | 36 T5 10 | 1F | 10 | 15.92 | 15.05 | 19.5 | 8 | 30 | 36 | - | 3 |
| | 36 T5 12 | 1F | 12 | 19.10 | 18.25 | 23.0 | 11 | 30 | 36 | - | 1 |
| | 36 T5 14 | 1F | 14 | 22.29 | 21.45 | 25.0 | 13 | 30 | 36 | - | 2 |
| | 36 T5 15 | 1F | 15 | 23.88 | 23.05 | 28.0 | 16 | 30 | 36 | 6 | 4 |
| | 36 T5 16 | 1F | 16 | 25.47 | 24.60 | 32.0 | 18 | 30 | 36 | 6 | 5 |
| | 36 T5 18 | 1F | 18 | 28.65 | 27.80 | 32.0 | 20 | 30 | 36 | 6 | 6 |
| | 36 T5 19 | 1F | 19 | 30.25 | 29.40 | 36.0 | 22 | 30 | 36 | 6 | 8 |
| | 36 T5 20 | 1F | 20 | 31.83 | 31.00 | 36.0 | 23 | 30 | 36 | 6 | 8 |
| | 36 T5 22 | 1F | 22 | 35.02 | 34.15 | 38.0 | 24 | 30 | 36 | 6 | 9 |
| | 36 T5 24 | 1F | 24 | 38.21 | 37.40 | 42.0 | 26 | 30 | 36 | 8 | 13 |
| | 36 T5 25 | 1F | 25 | 39.80 | 38.95 | 44.0 | 26 | 30 | 36 | 8 | 12 |
| 36 T5 26 | 1F | 26 | 41.39 | 40.60 | 44.0 | 26 | 30 | 36 | 8 | 12 | |
| 36 T5 27 | 1F | 27 | 42.98 | 42.20 | 48.0 | 30 | 30 | 36 | 8 | 11 | |
| 36 T5 28 | 1F | 28 | 44.58 | 43.75 | 48.0 | 32 | 30 | 36 | 8 | 11 | |
| 36 T5 30 | 1F | 30 | 47.76 | 46.95 | 51.0 | 34 | 30 | 36 | 8 | 16 | |
| 36 T5 32 | 1F | 32 | 50.94 | 50.10 | 54.0 | 38 | 30 | 36 | 8 | 18 | |
| 36 T5 36 | 1F | 36 | 57.31 | 56.45 | 64.0 | 38 | 30 | 36 | 8 | 23 | |
| 36 T5 40 | 1F | 40 | 63.66 | 62.85 | 66.5 | 40 | 30 | 36 | 8 | 24 | |
| 36 T5 42 | 1F | 42 | 66.86 | 66.00 | 70.0 | 40 | 30 | 36 | 8 | 26 | |
| 36 T5 44 | 2 | 44 | 70.05 | 69.20 | - | 45 | 30 | 36 | 8 | - | |
| 36 T5 48 | 2 | 48 | 76.42 | 75.55 | - | 50 | 30 | 36 | 8 | - | |
| 36 T5 60 | 2 | 60 | 95.52 | 94.65 | - | 65 | 30 | 36 | 8 | - | |

T20 pitch pulleys and bars are manufactured on request.

" T " P U L L E Y S

T 10 (10 mm pitch) DESIGNED FOR 16 mm WIDE BELTS

| ALUMINIUM | DESCRIPTION | EXEC. | No. of TEETH | Dp | De | Df | Dm | F | L | d | FLANGE No. |
|-----------|-------------|-------|--------------|--------|-------|-----|----|----|----|----|------------|
| | 31 T10 12 | 1F | 12 | 38.20 | 36.35 | 42 | 28 | 21 | 31 | 6 | 13 |
| | 31 T10 14 | 1F | 14 | 44.56 | 42.70 | 48 | 32 | 21 | 31 | 8 | 11 |
| | 31 T10 15 | 1F | 15 | 47.75 | 45.90 | 51 | 32 | 21 | 31 | 8 | 16 |
| | 31 T10 16 | 1F | 16 | 50.93 | 49.10 | 54 | 35 | 21 | 31 | 8 | 18 |
| | 31 T10 18 | 1F | 18 | 57.29 | 55.45 | 60 | 40 | 21 | 31 | 8 | 21 |
| | 31 T10 19 | 1F | 19 | 60.48 | 58.65 | 66 | 44 | 21 | 31 | 8 | 24 |
| | 31 T10 20 | 1F | 20 | 63.66 | 61.80 | 66 | 46 | 21 | 31 | 8 | 24 |
| | 31 T10 22 | 1F | 22 | 70.03 | 68.20 | 75 | 52 | 21 | 31 | 8 | 27 |
| | 31 T10 24 | 1F | 24 | 76.39 | 74.55 | 83 | 58 | 21 | 31 | 8 | 29 |
| | 31 T10 25 | 1F | 25 | 79.58 | 77.75 | 83 | 60 | 21 | 31 | 8 | 29 |
| 31 T10 26 | 1F | 26 | 82.76 | 80.90 | 87 | 60 | 21 | 31 | 8 | 31 | |
| 31 T10 27 | 1F | 27 | 85.95 | 84.10 | 91 | 60 | 21 | 31 | 8 | 32 | |
| 31 T10 28 | 1F | 28 | 89.12 | 87.25 | 93 | 60 | 21 | 31 | 8 | 33 | |
| 31 T10 30 | 1F | 30 | 95.49 | 93.65 | 102 | 60 | 21 | 31 | 8 | 35 | |
| 31 T10 32 | 1F | 32 | 101.86 | 100.00 | 106 | 65 | 21 | 31 | 10 | 38 | |
| 31 T10 36 | 1F | 36 | 114.59 | 112.75 | 119 | 70 | 21 | 31 | 10 | 43 | |
| 31 T10 40 | 1F | 40 | 127.32 | 125.45 | 131 | 80 | 21 | 31 | 10 | 47 | |
| 31 T10 44 | 2 | 44 | 140.05 | 138.20 | - | 88 | 21 | 31 | 10 | - | |
| 31 T10 48 | 2 | 48 | 152.78 | 150.95 | - | 95 | 21 | 31 | 16 | - | |
| 31 T10 60 | 2 | 60 | 190.98 | 189.10 | - | 110 | 21 | 31 | 16 | - | |

T 10 (10 mm pitch) DESIGNED FOR 25 mm WIDE BELTS

| ALUMINIUM | DESCRIPTION | EXEC. | No. of TEETH | Dp | De | Df | Dm | F | L | d | FLANGE No. |
|-----------|-------------|-------|--------------|--------|-------|-----|----|----|----|----|------------|
| | 40 T10 12 | 1F | 12 | 38.20 | 36.35 | 42 | 28 | 30 | 40 | 6 | 13 |
| | 40 T10 14 | 1F | 14 | 44.56 | 42.70 | 48 | 32 | 30 | 40 | 8 | 11 |
| | 40 T10 15 | 1F | 15 | 47.75 | 45.90 | 51 | 32 | 30 | 40 | 8 | 16 |
| | 40 T10 16 | 1F | 16 | 50.93 | 49.10 | 54 | 35 | 30 | 40 | 8 | 18 |
| | 40 T10 18 | 1F | 18 | 57.29 | 55.45 | 60 | 40 | 30 | 40 | 8 | 21 |
| | 40 T10 19 | 1F | 19 | 60.48 | 58.65 | 66 | 44 | 30 | 40 | 8 | 24 |
| | 40 T10 20 | 1F | 20 | 63.66 | 61.80 | 66 | 46 | 30 | 40 | 8 | 24 |
| | 40 T10 22 | 1F | 22 | 70.03 | 68.20 | 75 | 52 | 30 | 40 | 8 | 27 |
| | 40 T10 24 | 1F | 24 | 76.39 | 74.55 | 83 | 58 | 30 | 40 | 8 | 29 |
| | 40 T10 25 | 1F | 25 | 79.58 | 77.75 | 83 | 60 | 30 | 40 | 8 | 29 |
| 40 T10 26 | 1F | 26 | 82.76 | 80.90 | 87 | 60 | 30 | 40 | 8 | 31 | |
| 40 T10 27 | 1F | 27 | 85.95 | 84.10 | 91 | 60 | 30 | 40 | 8 | 32 | |
| 40 T10 28 | 1F | 28 | 89.12 | 87.25 | 93 | 60 | 30 | 40 | 8 | 33 | |
| 40 T10 30 | 1F | 30 | 95.49 | 93.65 | 102 | 60 | 30 | 40 | 8 | 35 | |
| 40 T10 32 | 1F | 32 | 101.86 | 100.00 | 106 | 65 | 30 | 40 | 10 | 38 | |
| 40 T10 36 | 1F | 36 | 114.59 | 112.75 | 119 | 70 | 30 | 40 | 10 | 43 | |
| 40 T10 40 | 1F | 40 | 127.32 | 125.45 | 131 | 80 | 30 | 40 | 10 | 47 | |
| 40 T10 44 | 2 | 44 | 140.05 | 138.20 | - | 88 | 30 | 40 | 10 | - | |
| 40 T10 48 | 2 | 48 | 152.78 | 150.95 | - | 95 | 30 | 40 | 16 | - | |
| 40 T10 60 | 2 | 60 | 190.98 | 189.15 | - | 110 | 30 | 40 | 16 | - | |

T20 pitch pulleys and bars are manufactured on request.

" T " P U L L E Y S

T 10 (10 mm pitch) DESIGNED FOR 32 mm WIDE BELTS

| ALUMINIUM | DESCRIPTION | EXEC. | No. of TEETH | Dp | De | Df | Dm | F | L | d | FLANGE No. |
|-----------|-------------|-------|--------------|--------|--------|-----|----|----|----|----|------------|
| | 47 T10 18 | 1F | 18 | 57.29 | 55.45 | 60 | 40 | 37 | 47 | 10 | 21 |
| | 47 T10 19 | 1F | 19 | 60.48 | 58.60 | 66 | 44 | 37 | 47 | 10 | 24 |
| | 47 T10 20 | 1F | 20 | 63.66 | 61.80 | 66 | 46 | 37 | 47 | 12 | 24 |
| | 47 T10 22 | 1F | 22 | 70.03 | 68.20 | 75 | 52 | 37 | 47 | 12 | 27 |
| | 47 T10 24 | 1F | 24 | 76.39 | 74.55 | 83 | 58 | 37 | 47 | 12 | 29 |
| | 47 T10 25 | 1F | 25 | 79.58 | 77.75 | 83 | 60 | 37 | 47 | 12 | 29 |
| | 47 T10 26 | 1F | 26 | 82.76 | 80.90 | 87 | 60 | 37 | 47 | 12 | 31 |
| | 47 T10 27 | 1F | 27 | 85.95 | 84.10 | 91 | 60 | 37 | 47 | 12 | 32 |
| | 47 T10 28 | 1F | 28 | 89.12 | 87.25 | 93 | 60 | 37 | 47 | 12 | 33 |
| | 47 T10 30 | 1F | 30 | 95.49 | 93.65 | 102 | 60 | 37 | 47 | 12 | 35 |
| | 47 T10 32 | 1F | 32 | 101.86 | 100.00 | 106 | 65 | 37 | 47 | 12 | 38 |
| 47 T10 36 | 1F | 36 | 114.59 | 112.75 | 119 | 70 | 37 | 47 | 16 | 43 | |
| 47 T10 40 | 1F | 40 | 127.32 | 125.45 | 131 | 80 | 37 | 47 | 16 | 47 | |
| 47 T10 44 | 2 | 44 | 140.05 | 138.20 | - | 88 | 37 | 47 | 16 | - | |
| 47 T10 48 | 2 | 48 | 152.78 | 150.95 | - | 95 | 37 | 47 | 16 | - | |
| 47 T10 60 | 2 | 60 | 190.98 | 189.10 | - | 110 | 37 | 47 | 16 | - | |

T 10 (10 mm pitch) DESIGNED FOR 50 mm WIDE BELTS

| ALUMINIUM | DESCRIPTION | EXEC. | No. of TEETH | Dp | De | Df | Dm | F | L | d | FLANGE No. |
|-----------|-------------|-------|--------------|--------|--------|-----|----|----|----|----|------------|
| | 66 T10 18 | 1F | 18 | 57.29 | 55.45 | 60 | 40 | 56 | 66 | 10 | 21 |
| | 66 T10 19 | 1F | 19 | 60.48 | 58.65 | 66 | 44 | 56 | 66 | 10 | 24 |
| | 66 T10 20 | 1F | 20 | 63.66 | 61.80 | 66 | 46 | 56 | 66 | 12 | 24 |
| | 66 T10 22 | 1F | 22 | 70.03 | 68.20 | 75 | 52 | 56 | 66 | 12 | 27 |
| | 66 T10 24 | 1F | 24 | 76.39 | 74.55 | 83 | 58 | 56 | 66 | 12 | 29 |
| | 66 T10 25 | 1F | 25 | 79.58 | 77.70 | 83 | 60 | 56 | 66 | 12 | 29 |
| | 66 T10 26 | 1F | 26 | 82.76 | 80.90 | 87 | 60 | 56 | 66 | 12 | 31 |
| | 66 T10 27 | 1F | 27 | 85.95 | 84.10 | 91 | 60 | 56 | 66 | 12 | 32 |
| | 66 T10 28 | 1F | 28 | 89.12 | 87.25 | 93 | 60 | 56 | 66 | 12 | 33 |
| | 66 T10 30 | 1F | 30 | 95.49 | 93.65 | 102 | 60 | 56 | 66 | 12 | 35 |
| | 66 T10 32 | 1F | 32 | 101.86 | 100.00 | 106 | 65 | 56 | 66 | 12 | 38 |
| 66 T10 36 | 1F | 36 | 114.59 | 112.75 | 119 | 70 | 56 | 66 | 16 | 43 | |
| 66 T10 40 | 1F | 40 | 127.32 | 125.45 | 131 | 80 | 56 | 66 | 16 | 47 | |
| 66 T10 44 | 2 | 44 | 140.05 | 138.20 | - | 88 | 56 | 66 | 16 | - | |
| 66 T10 48 | 2 | 48 | 152.78 | 150.95 | - | 95 | 56 | 66 | 16 | - | |
| 66 T10 60 | 2 | 60 | 190.98 | 189.10 | - | 110 | 56 | 66 | 16 | - | |

T20 pitch pulleys and bars are manufactured on request.